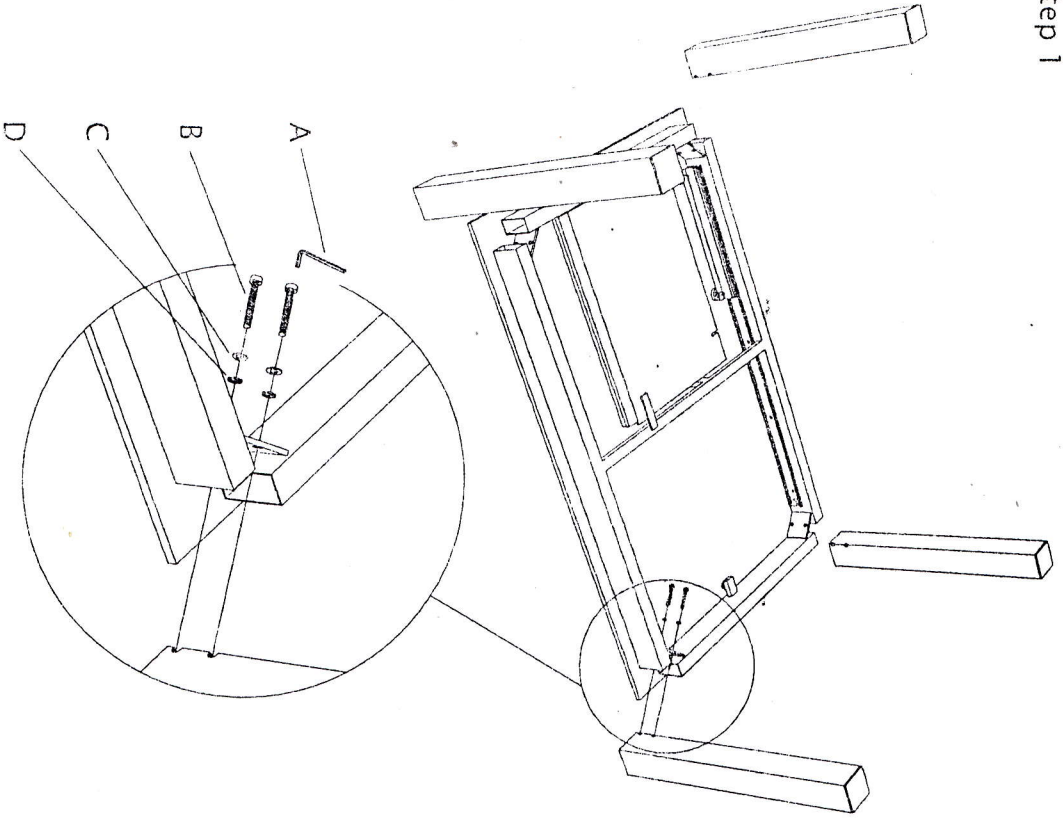
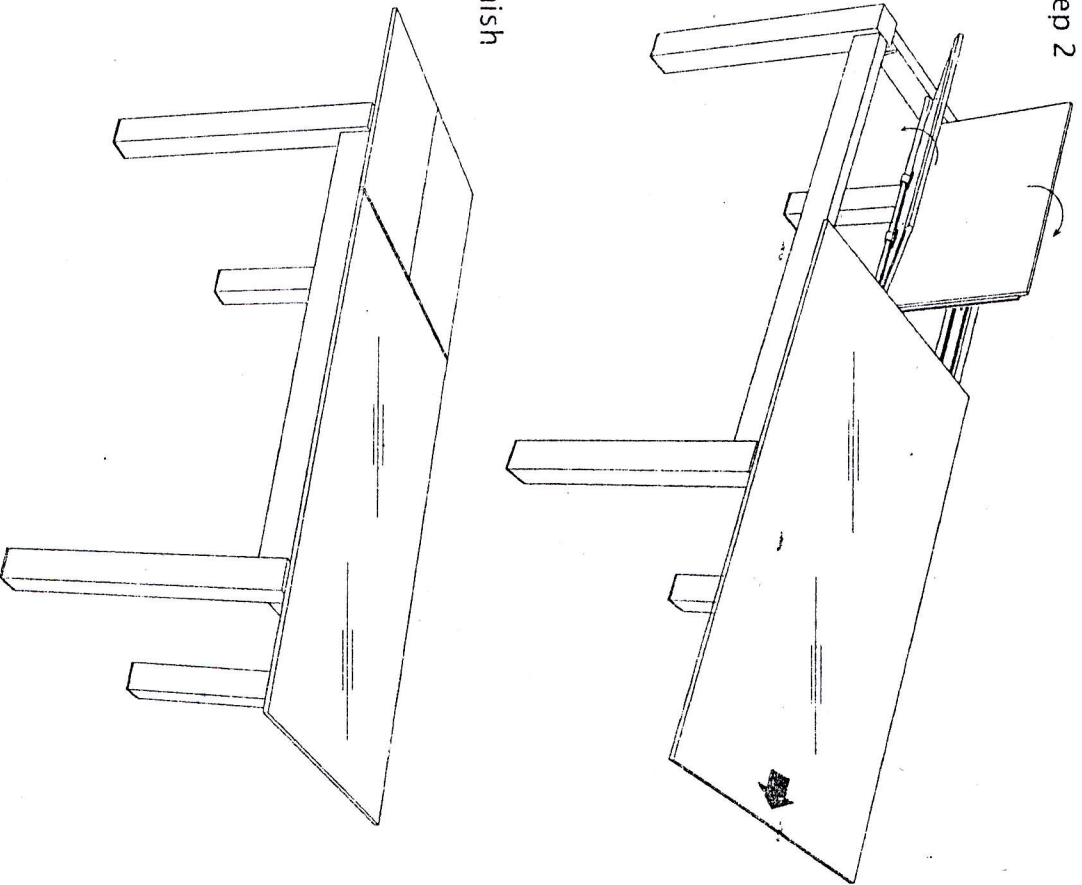






Step 1



Step 2



# SOHO

NO.	A	B	C	D
TYPE				
QTY	1 PC	8 PCS	8 PCS	8 PCS